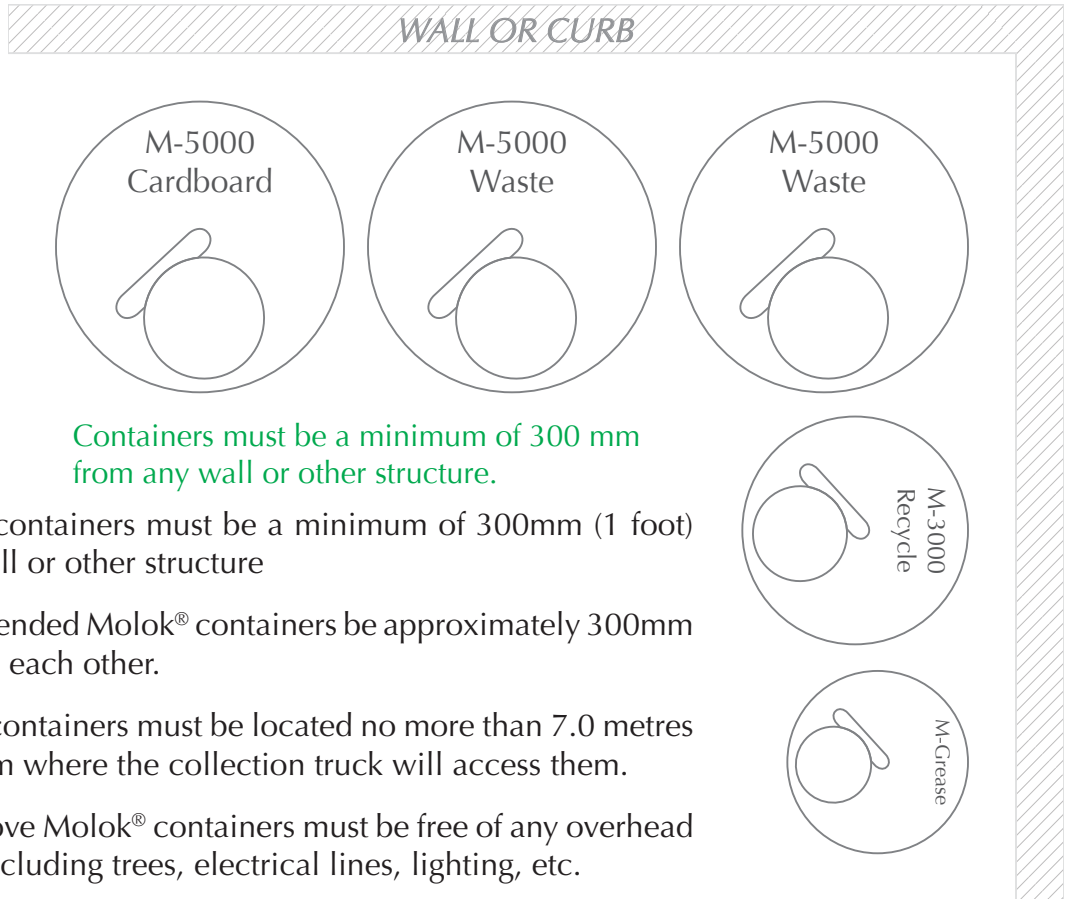
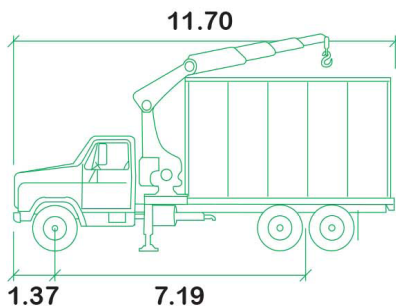


Site Considerations



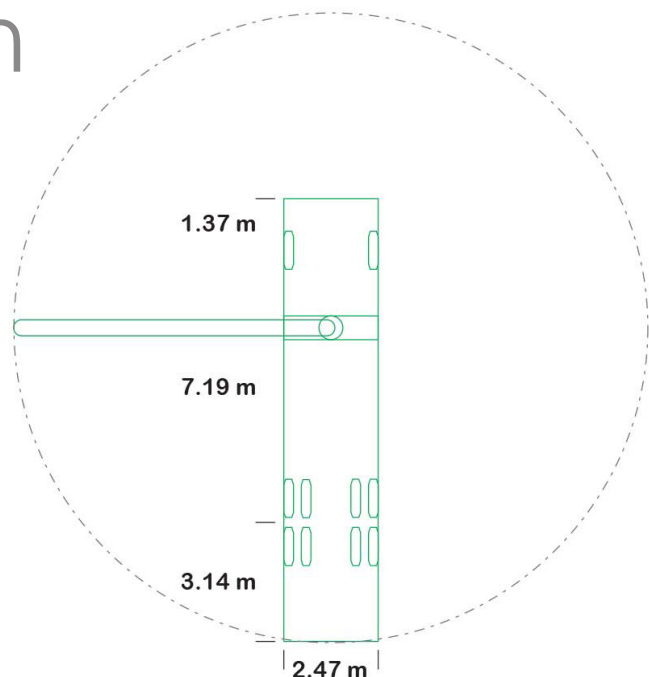
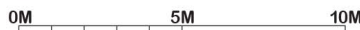
- Containers must be a minimum of 300 mm from any wall or other structure.
- All Molok[®] containers must be a minimum of 300mm (1 foot) from any wall or other structure
 - It is recommended Molok[®] containers be approximately 300mm (1 foot) from each other.
 - All Molok[®] containers must be located no more than 7.0 metres (23 feet) from where the collection truck will access them.
 - The area above Molok[®] containers must be free of any overhead obstacles, including trees, electrical lines, lighting, etc.
 - There must not be any underground utilities or services within 300mm (1 foot) of Molok[®] containers.

Crane Reach

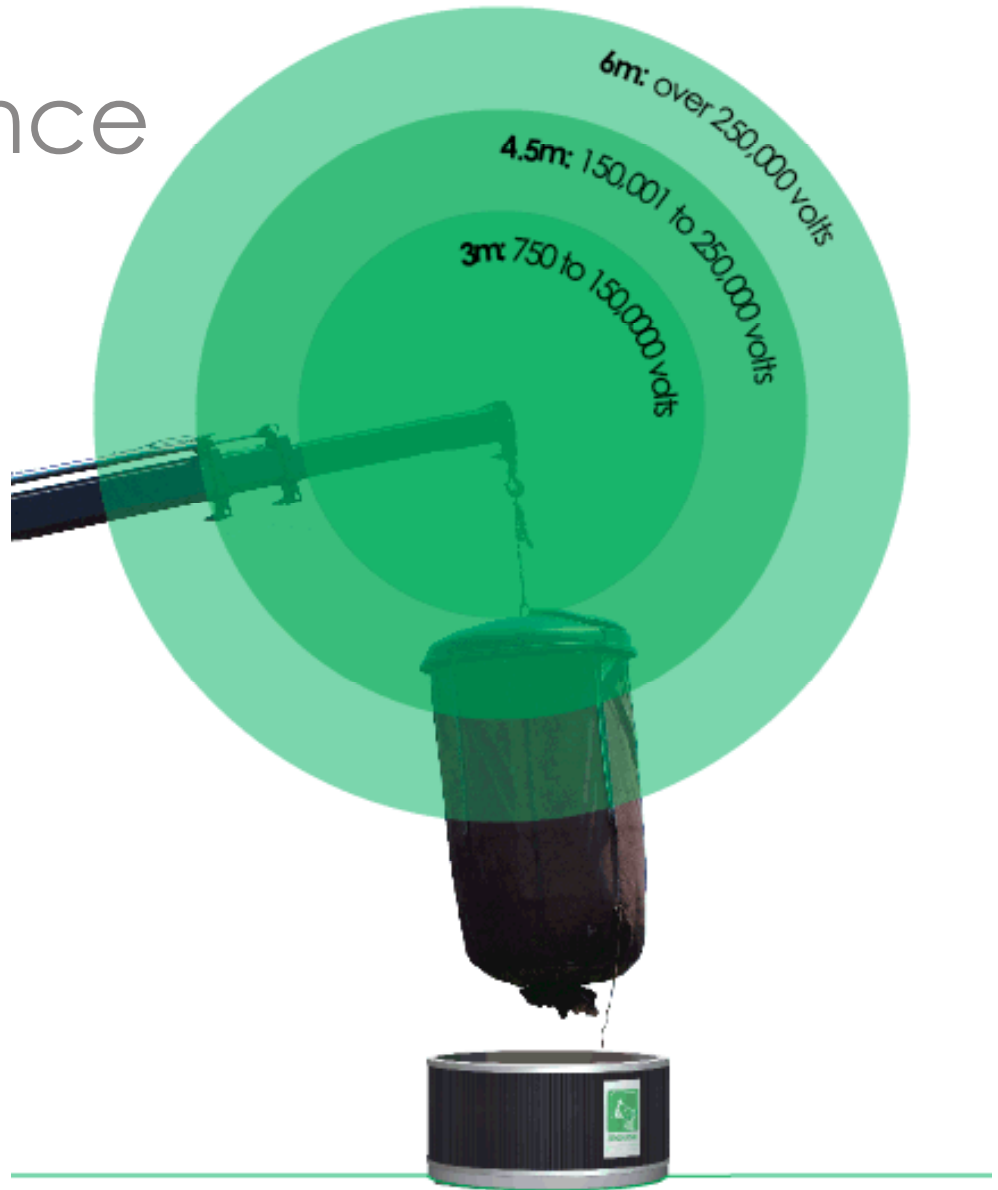


Molok		meters
Width	:	2.47
Track	:	2.47
Lock to Lock Time	:	6.0
Steering Angle	:	53.0

Collection Truck Crane Reach



Clearance



As the waste is collected, the reusable bag and lifting arm must at all times be a safe distance from nearby electrical sources. This may include overhead wires, lights, etc. This diagram shows the safe distances by voltage.

- 750 to 150,000 volts must be at least 3 metres away.
- 150,001 to 250,000 volts must be at least 4.5 metres away.
- Over 250,000 volts must be at least 6 metres away.

*These site considerations are a guideline **only**.
Please consult your local waste hauler for specific measurements.*