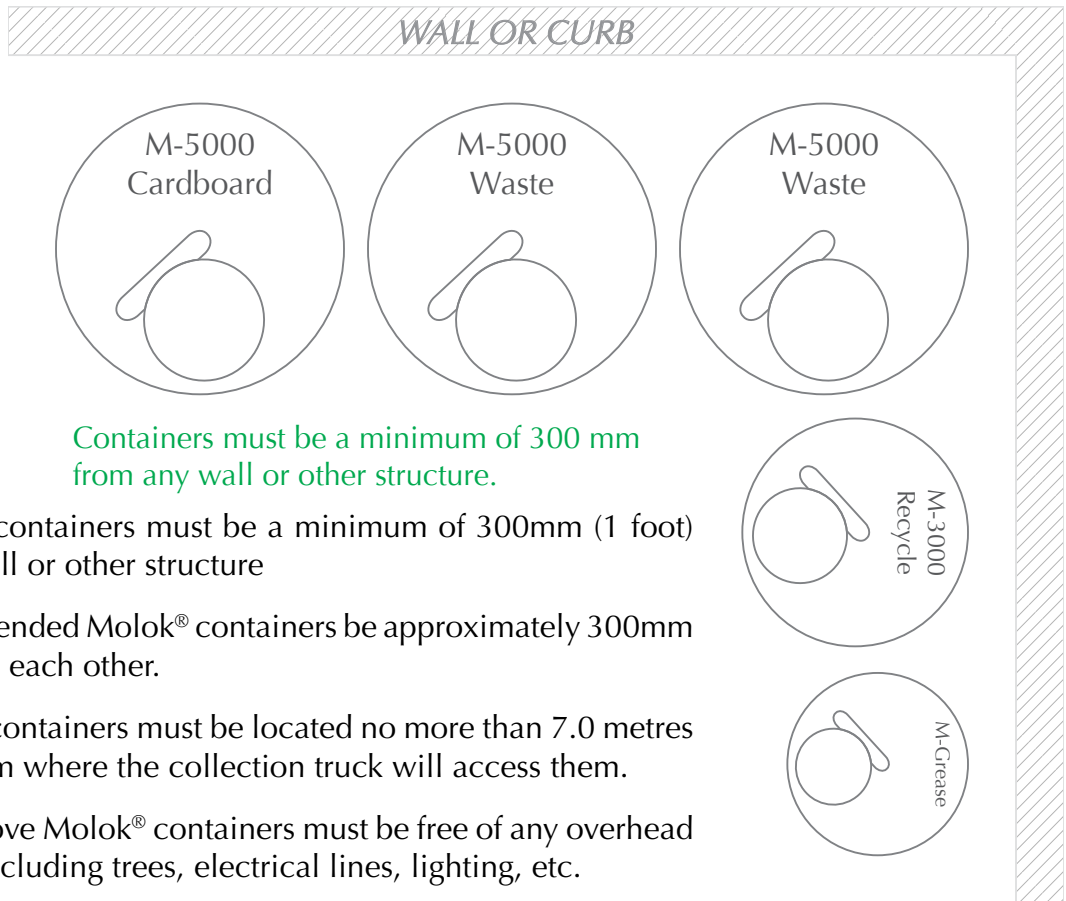
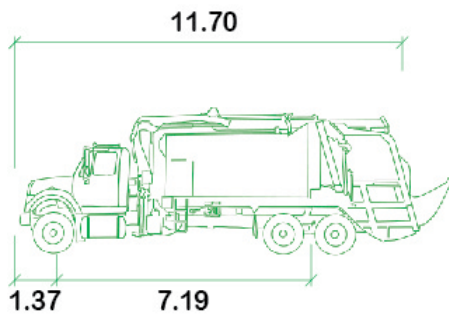


Site Considerations



- All Molok[®] containers must be a minimum of 300mm (1 foot) from any wall or other structure
- It is recommended Molok[®] containers be approximately 300mm (1 foot) from each other.
- All Molok[®] containers must be located no more than 7.0 metres (23 feet) from where the collection truck will access them.
- The area above Molok[®] containers must be free of any overhead obstacles, including trees, electrical lines, lighting, etc.
- There must not be any underground utilities or services within 300mm (1 foot) of Molok[®] containers.

Crane Reach



Molok		meters
Width	:	2.47
Track	:	2.47
Lock to Lock Time	:	6.0
Steering Angle	:	53.0

