

# Site Considerations

## WALL OR CURB

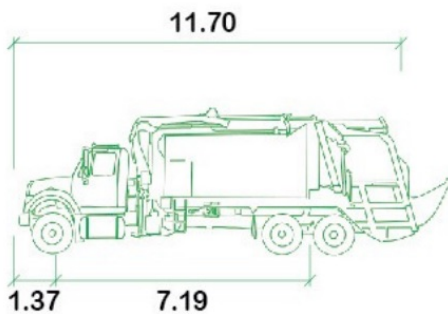


Containers must be a minimum of 300 mm from any wall or other structure.

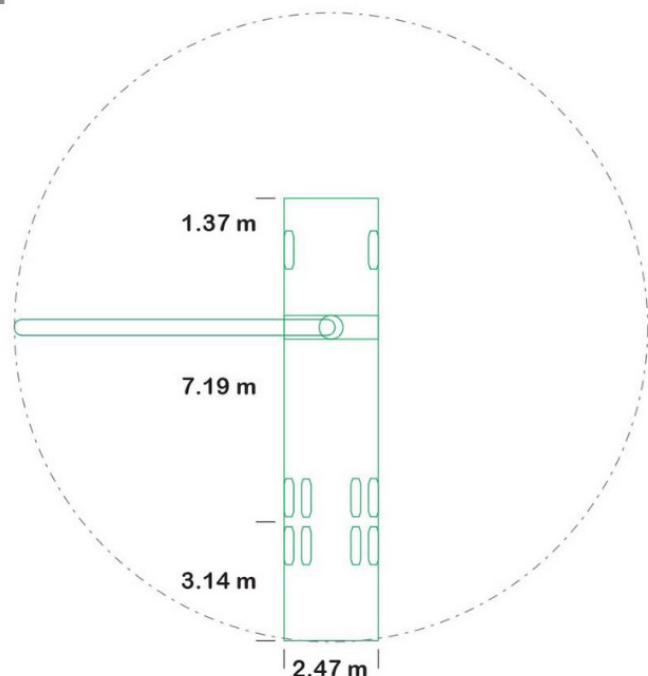
- All Molok® containers must be a minimum of 300mm (1 foot) from any wall or other structure
- It is recommended Molok® containers be approximately 300mm (1 foot) from each other..
- All Molok® containers must be located no more than 7.0 metres (23 feet) from where the collection truck will access them.
- The area above Molok® containers must be free of any overhead obstacles, including trees, electrical lines, lighting, etc.
- There must not be any underground utilities or services within 300mm (1 foot) of Molok containers.



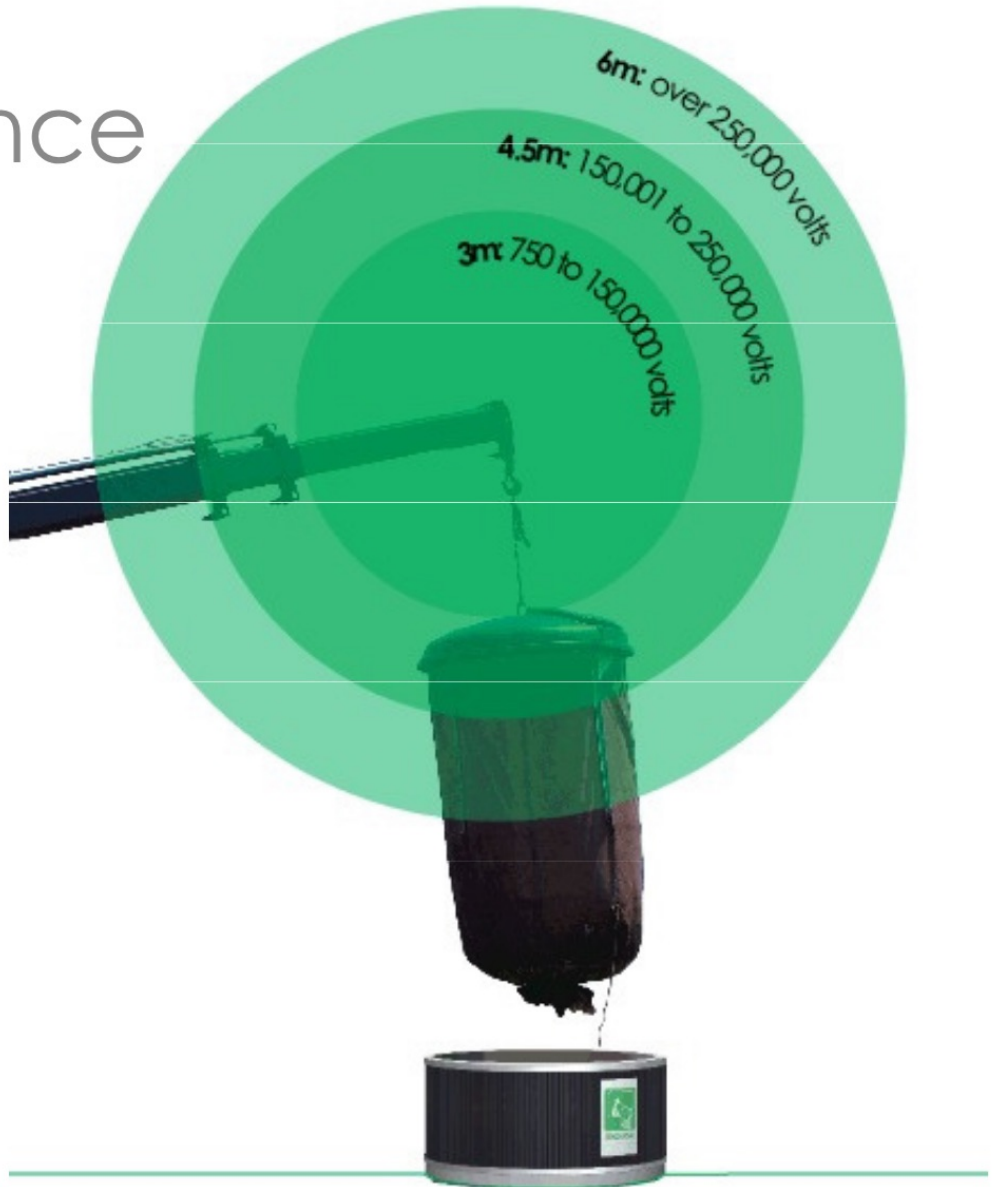
# Crane Reach



Molok	meters
Width	: 2.47
Track	: 2.47
Lock to Lock Time	: 6.0
Steering Angle	: 53.0



# Clearance



*As the waste is collected, the reusable bag and lifting arm must at all times be a safe distance from nearby electrical sources. This may include overhead wires, lights, etc. This diagram shows the safe distances by voltage.*

- *750 to 150,000 volts must be at least 3 metres away.*
- *150,001 to 250,000 volts must be at least 4.5 metres away.*
- *Over 250,000 volts must be at least 6 metres away.*

***These site considerations are a guideline only.  
Please consult your local waste hauler for specific measurements.***